

Radial piston pumps

Type BRK701/702

heavy duty series

700 bar

0,24 to 8,14 cm³/rev

500 bar → see data sheet BRK501/502

1000 bar → see data sheet BRK11/12

Features

- High volumetric efficiency
- Self-priming and venting
- Low pulsation
- Low noise level
- Combination with gear pump possible (see separate data sheet BKP)

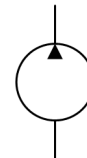


Design

- Radial piston pump of modular design
- With valve controlled pumping elements
- Can be supplied with 3, 5, 7 and 9 pistons (depending on size)

Applications

- Specially designed for demanding applications with continuous pressures up to 700 bar → long economic lifetime!
- Machine tools
- Clamping device
- Power units (e.g. for presses)
- Test stands
- Accumulator charging systems
- Lifting and advancing systems



Technical data

Hydraulic fluid	Mineral oil according to DIN 51524 (other fluids on request)
Fluid temperature range	-20 to 80 °C
Ambient temperature range	-30 to 50 °C
Viscosity range	5 to 220 mm ² /s
Max. operating pressure	700 bar continuous pressure (S1), see product information
Operation pressure at suction port	-0,2 bar to 0,5 bar gauge pressure
Filtration (recommendation)	According to NAS 1638 class 6 resp. ISO/DIN 4406 17/15/12
Weight	See product information
Axial force onto driving shaft	Not allowed
Radial force onto driving shaft	On Request
Max. speed range	2000 min ⁻¹
Direction of rotation	Any
Suction height	Max. 500 mm
Material	Pressure flange: steel Driving shaft: steel Cover: die casted aluminium

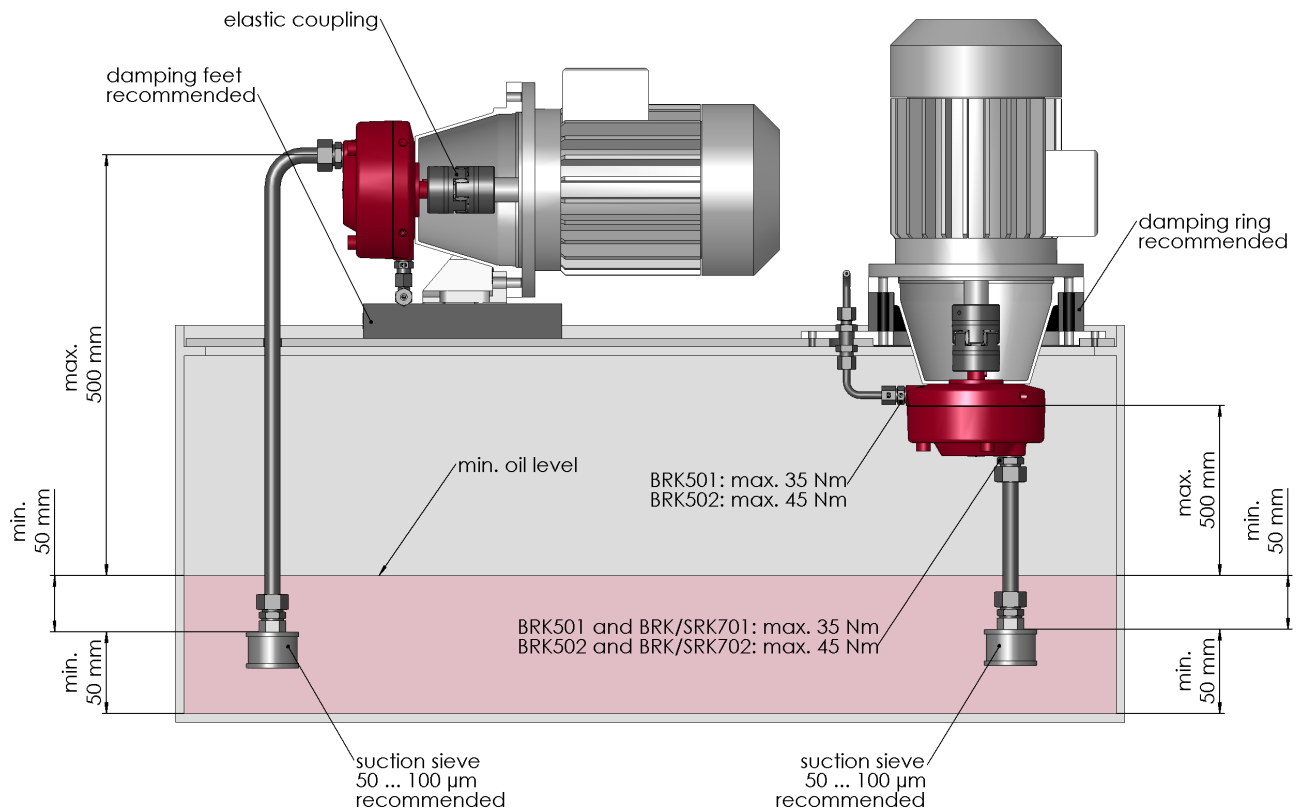
Type BRK701/702

heavy duty series
700 bar
0,24 to 8,14 cm³/rev

Ordering code

Example	BRK	701	-	0,24	-	700	-	V	-			00
Radial piston pump												
Size	701 702											
Displacement [cm³/rev]	see product information											
Max. operating pressure [bar]	see product information											
Seal material	V [FPM] other seal materials on request											
	Special design 01 ... 99 (00 for standard)											
	Part index Please leave it blank (small letters a-z; different letters do not effect interchangeability)											
	Design revision see dimension drawings (capital letters A-Z; identical letters equal same connecting dimensions)											

Mounting



Product information

Size	Displacement [cm ³ /rev]	Operating pressure max. [bar]	Number of pumping elements	Weight ca. [kg]	max. Torque * [Nm]	max. Power * [kW]	Part No.
701	0,24	700	3	5,7	3,45	0,54	3845253**
701	0,34	700	3	5,7	4,96	0,78	3845317**
701	0,47	700	3	5,7	6,89	1,08	3845318
701	0,60	700	3	5,7	8,82	1,39	3845319
701	0,68	700	3	5,7	9,92	1,56	3845320
701	0,76	700	3	5,7	11,16	1,75	3845321
701	0,79	700	5	6,0	11,16	1,75	3845322
701	0,94	700	3	5,7	13,78	2,16	3845323
701	1,03	700	3	5,7	15,07	2,37	3845335
701	1,13	700	5	6,0	16,07	2,52	3845336
701	1,21	700	3	5,7	17,64	2,77	3845337
701	1,31	700	3	5,8	19,20	3,02	3845338
701	1,53	700	3	5,8	22,33	3,51	3845340
701	1,66	700	3	6,2	24,26	3,81	3850172
701	1,88	700	3	6,2	27,56	4,33	3845344
701	2,01	700	5	6,5	28,56	4,49	3845365
701	2,54	700	5	6,5	36,15	5,68	3845366
701	2,71	700	3	6,2	39,69	6,23	3845367
701	3,14	700	5	6,5	44,63	7,01	3845369
701	4,52	500	5	6,5	45,90	7,21	3845372
702	4,52	700	5	15,1	64,26	10,09	3845374
702	5,65	700	9	15,7	79,54	12,49	3845386
702	6,33	650	7	15,4	82,72	12,99	3845387
702	7,31	550	9	15,7	80,83	12,70	3845388
702	8,14	500	9	15,7	81,81	12,85	3845389

* n = 1500 1/min; $\eta_t = 0,8$; p = p_{max}

** longer delivery time

Other displacements on request

Pumps with low pulsation on request

Calculation of driving motor power

$$P = \frac{p \cdot V_g \cdot n \cdot k}{\eta_t \cdot 600 \cdot 10^3}$$

P = Driving power [kW]
 p = Operating pressure [bar]
 V_g = Displacement [cm³/rev]
 n = Speed [rpm]
 η_t = Overall efficiency approx. 0,8

k = Pulsation factor
 - with 3 pumping elements: k approx. 1,05
 - with 5 pumping elements: k approx. 1,0
 - with 7 pumping elements: k approx. 1,0
 - with 9 pumping elements: k approx. 1,0

Sealkit for BRK701 4006555

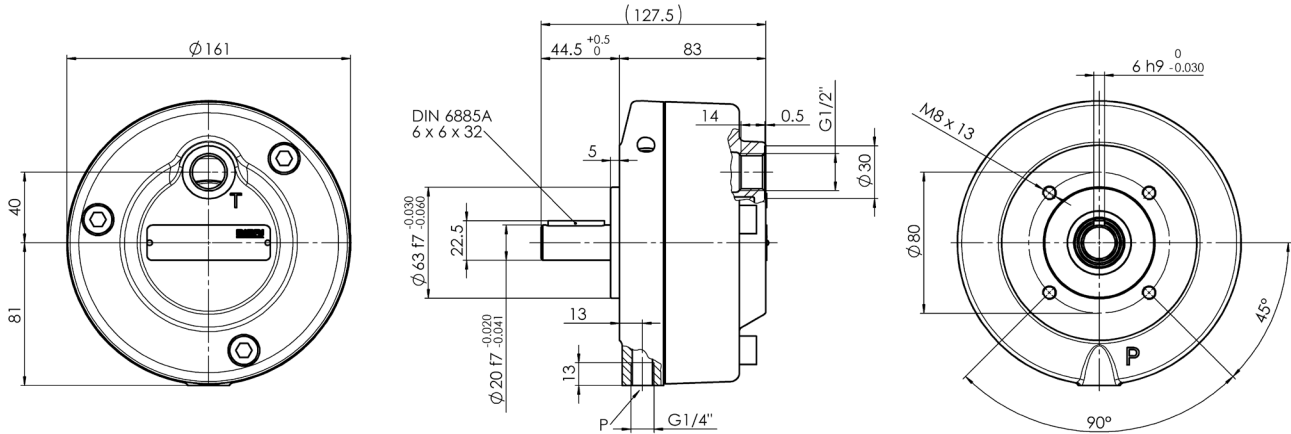
Sealkit for BRK702 4006559

Type BRK701/702

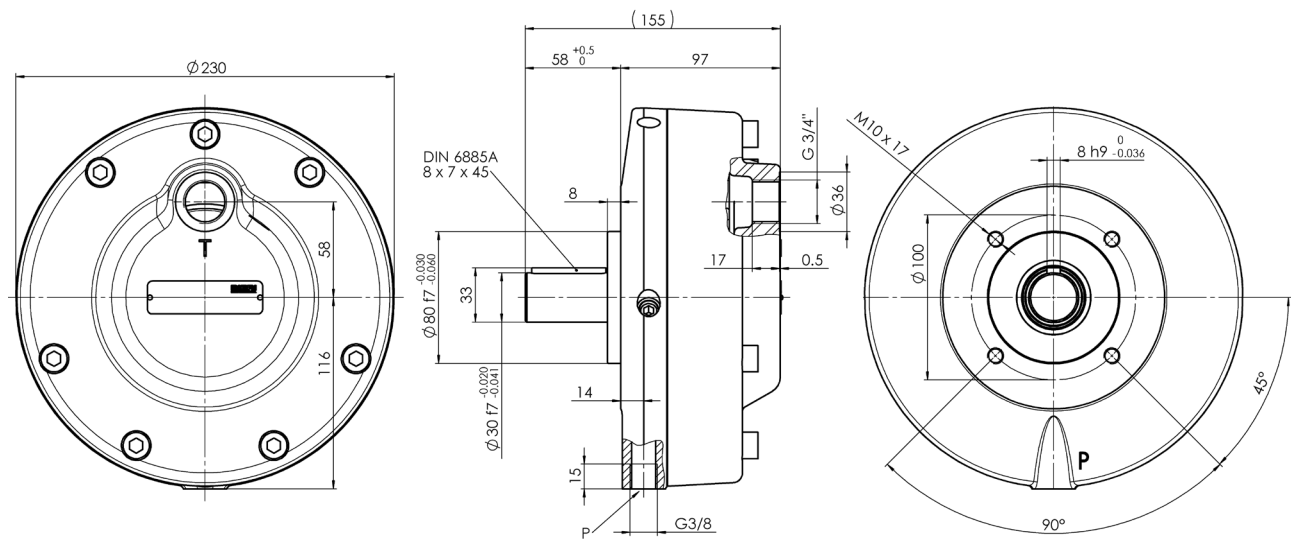
heavy duty series
700 bar
0,24 to 8,14 cm³/rev

Dimensional drawings

Size BRK701 / Design revision C



Size BRK702 / Design revision C



Bieri Hydraulik AG

Könizstrasse 274
CH-3097 Liebefeld
Tel. +41 31 970 09 09 | Fax +41 31 970 09 10
info@bierihydraulics.com | www.bierihydraulics.com

The information in this brochure relates to the operating conditions and applications described.

For applications and operating conditions not described, please contact the relevant technical department.

Subject to technical modifications.